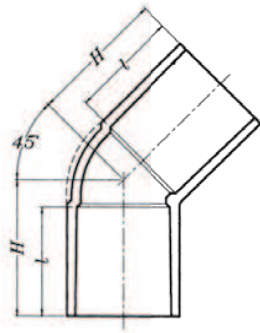


# 8

## 下水道及排水用接頭規格

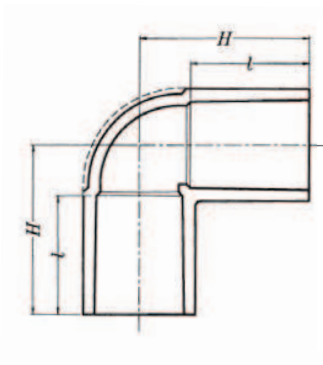
### Specification of PVC-U Fittings for Sewerage & Drainage



#### 45° L 型接頭 45° Elbow

單位：mm

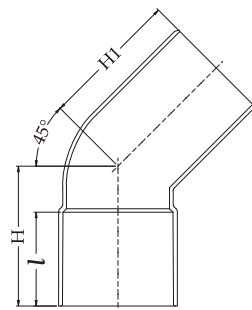
規格	Size	l	H
40	1 ½"	55	69
50	2"	63	80
65	2 ½"	69	90
80	3"	72	95
90	3 ½"	80	105
100	4"	92	121
125	5"	112	150
150	6"	140	185
200	8"	172	224
250	10"	185	248



#### 90° L 型接頭 90° Elbow

單位：mm

規格	Size	l	H
40	1 ½"	55	82
50	2"	63	96
65	2 ½"	69	110
80	3"	72	120
90	3 ½"	80	135
100	4"	92	152
125	5"	112	188
150	6"	140	228
200	8"	172	288
250	10"	185	326



#### 45° 型單放口(厚)接頭

#### 45° Elbow With Spigot End

單位：mm

規格	Size	l	H	H1
2"	X4.0mm	63	85	85
3"	X5.5mm	72	95	95
4"	X7.0mm	92	121	121
5"	X7.5mm	112	148	148

註/Note：

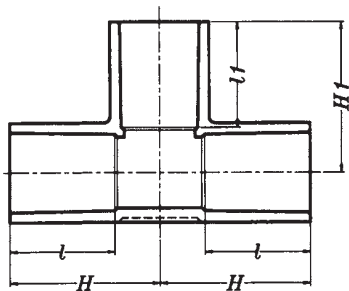
製品亦可依上列圖示之虛線製造

Production can also be manufactured according to the dotted line of above diagram.

# 8

## 下水道及排水用接頭規格

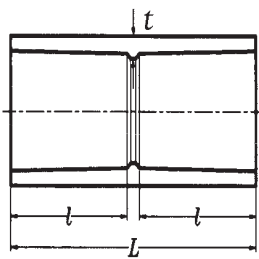
### Specification of PVC-U Fittings for Sewerage & Drainage



#### T型接頭 Tee

單位：mm

規格	Size	l	l1	H	H1
40X40	1 ½"	55	55	82	82
50X40	2"X1 ½"	63	55	90	88
50X50	2"	63	63	96	96
65X40	2 ½"X1 ½"	69	55	96	96
65X50	2 ½"X2"	69	63	102	104
65X65	2 ½"	69	69	110	110
80X40	3"X1 ½"	72	55	100	102
80X50	3"X2"	72	63	105	110
80X65	3"X2 ½"	72	69	113	117
80X80	3"	72	72	120	120
90X90	3 ½"	80	80	135	135
100X40	4"X1 ½"	92	55	120	115
100X50	4"X2"	92	63	125	122
100X80	4"X3"	92	72	140	132
100X100	4"	92	92	152	152
125X80	5"X3"	112	72	160	148
125X100	5"X4"	112	92	174	168
125X125	5"	112	112	188	188
150X80	6"X3"	140	72	193	160
150X100	6"X4"	140	92	202	182
150X125	6"X5"	140	112	214.5	200
150X150	6"	140	140	228	228
200X100	8"X4"	172	92	236.5	204
200X150	8"X6"	172	140	264	252
200X200	8"	172	172	287.5	287
250X250	10"	185	185	325	325



#### 同徑普通接頭 Coupling

單位：mm

規格	Size	l	L
40	1 ½"	55	117
50	2"	63	133
65	2 ½"	69	147
80	3"	72	155
90	3 ½"	80	166
100	4"	92	200
125	5"	112	235
150	6"	140	300
200	8"	172	360
250	10"	185	400

註/Note：

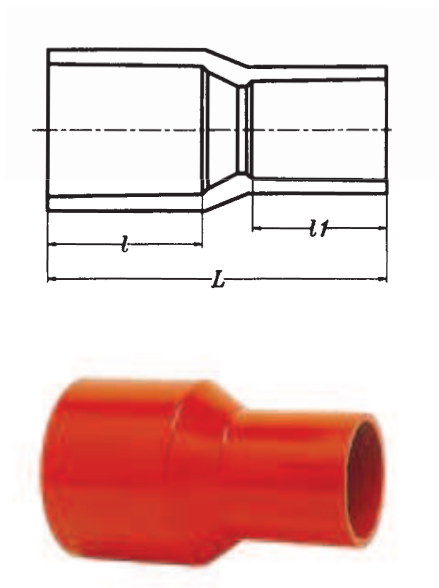
製品亦可依上列圖示之虛線製造

Production can also be manufactured according to the dotted line of above diagram.

# 8

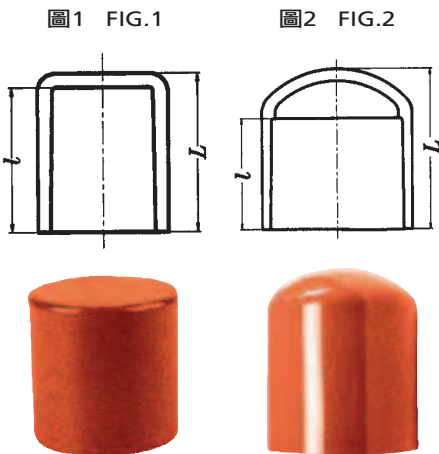
## 下水道及排水用接頭規格

### Specification of PVC-U Fittings for Sewerage & Drainage



異徑普通接頭 Reducer Coupling 單位：mm

規格	Size	l	l1	L
50X40	2"X1 1/2"	63	55	136
65X40	2 1/2"X1 1/2"	69	55	150
65X50	2 1/2"X2"	69	63	153
80X40	3"X1 1/2"	72	55	165
80X50	3"X2"	72	63	165
80X65	3"X2 1/2"	72	69	165
100X40	4"X1 1/2"	92	55	190
100X50	4"X2"	92	63	208
100X80	4"X3"	92	72	190
125X80	5"X3"	112	72	210
125X100	5"X4"	112	92	225
150X80	6"X3"	140	72	260
150X100	6"X4"	140	92	280
150X125	6"X5"	140	112	295
200X100	8"X4"	172	92	340
200X125	8"X5"	172	112	345
200X150	8"X6"	172	140	350
250X200	10"x8"	185	172	420
300X200	12"x8"	230	172	495



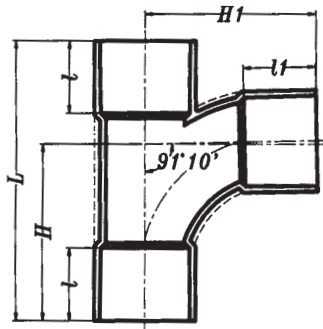
塞頭 Cap 單位：mm

規格	Size	l	L	備註 Remark
40	1 1/2"	55	59.5	圖1 FIG.1
50	2"	63	68	圖1 FIG.1
65	2 1/2"	69	100	圖2 FIG.2
80	3"	72	107	圖2 FIG.2
90	3 1/2"	80	120	圖2 FIG.2
100	4"	92	138	圖2 FIG.2
125	5"	112	168	圖2 FIG.2
150	6"	140	205	圖2 FIG.2
200	8"	172	260	圖2 FIG.2
250	10"	185	295	圖2 FIG.2

# 8

## 下水道及排水用接頭規格

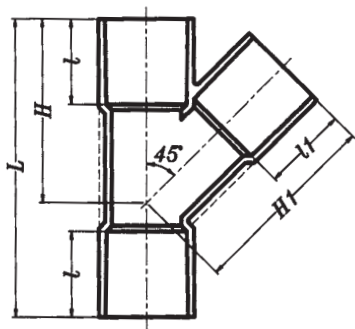
### Specification of PVC-U Fittings for Sewerage & Drainage



#### 順T接頭 Sanitary Tee

單位：mm

規格	Size	l	l1	H	H1	L
40X40	1 ½"	55	55	111	111	180
50X40	2"X1 ½"	63	55	114	118	192
50X50	2"	63	63	114	127	200
65X50	2 ½"X2"	69	63	128	130	218
65X65	2 ½"	69	69	132	140	234
80X50	3"X2"	72	63	140	145	235
80X80	3"	72	72	177	172	280
100X50	4"X2"	92	63	154	152	270
100X80	4"X3"	92	72	194	182	318
100X100	4"	92	92	224	219	355
125X80	5"X3"	112	72	235	198	350
125X100	5"X4"	112	92	235	219	388
125X125	5"	112	112	252	233	416
150X50	6"X2"	140	63	215	180	420
150X80	6"X3"	130	72	230	207	420
150X100	6"X4"	130	92	246	234	425
150X125	6"X5"	140	112	273	252	468
150X150	6"	140	140	290	295	495
200X50	8"X2"	172	63	245	210	440
200X80	8"X3"	172	72	265	235	470
200X100	8"X4"	172	92	262	263	510
200X150	8"X6"	172	140	307	320	560
200X200	8"	172	172	347	360	615
250X150	10"X6"	185	140	332	345	588



#### 45° Y型接頭 45° Wye

單位：mm

規格	Size	l	l1	H	H1	L
40X40	1 ½"	55	55	116	119	185
50X40	2"X1 ½"	63	55	132	128	202
50X50	2"	63	141	142	220	200
65X50	2 ½"X2"	69	63	148	152	230
80X50	3"X2"	72	63	164	164	239
80X80	3"	72	180	188	280	235
100X50	4"X2"	92	63	195	185	285
100X80	4"X3"	92	72	213	202	319
100X100	4"	92	92	230	240	355
125X50	5"X2"	112	63	233	192	337
125X80	5"X3"	112	72	252	216	372
125X100	5"X4"	112	92	272	252	415
125X125	5"	112	112	282	292	434
150X50	6"X2"	140	63	270	228	385
150X80	6"X3"	130	72	282	240	412
150X100	6"X4"	130	92	294	274	435
150X125	6"X5"	140	112	322	310	500
150X150	6"	140	140	344	352	530
200X50	8"X2"	172	63	327	258	445
200X80	8"X3"	172	72	345	282	485
200X100	8"X4"	172	92	362	316	520
200X150	8"X6"	172	140	400	394	600
200X200	8"	172	172	446	433	690
250X150	10"X6"	185	140	450	430	625

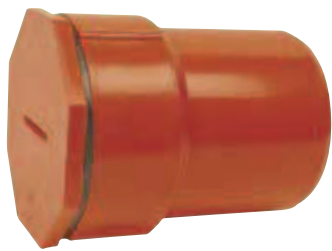
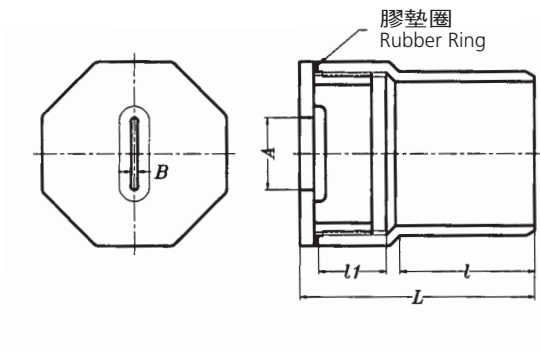
註/Note :

製品亦可依上列圖示之虛線製造

Production can also be manufactured according to the dotted line of above diagram.

## 8 下水道及排水用接頭規格

### Specification of PVC-U Fittings for Sewerage & Drainage



#### 清除孔接頭 Cleanout Bushing 單位：mm

規格	Size	A	B	l	l1	L
50	2"	30	4.5	59	25	98
80	3"	50	4.5	75	38	131
100	4"	50	4.5	93	47	164
125	5"	80	10	120	50	194
150	6"	125	10	128	50	204
200	8"	160	10	175	50	255

註/Note：

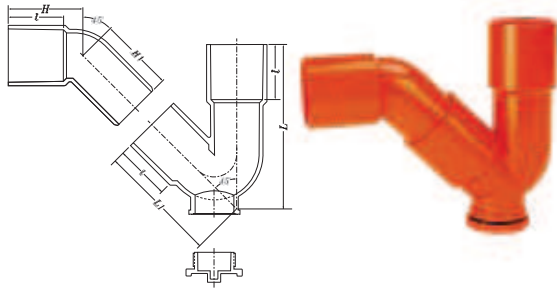
清除孔接頭本體與蓋之間所套入橡膠墊圈，於每次使用後應鎖緊，以防漏水。

In order to against the leakage of rubber ring between cleanout bushing body and cap, please screw the cleanout cap on the cleanout bushing body tightly.

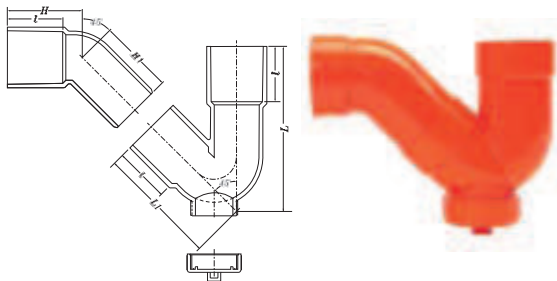
#### P 型存水接頭

#### "P" Trap with Solvent Weldjoint And Cleanout Plug

單位：mm



規格	Size	l	H	l1	H1	L
1 ½"X2mm(1¼內大牙)		22	37	80	37	102
2"X2mm(1¼內大牙)		25	50	100	75.5	137
2"X4mm(1¼內大牙)		63	85	138	85	195



單位：mm

規格	Size	l	H	l1	H1	L
1 ½"X2mm(1¼外大牙)		22	37	80	37	102
2"X2mm(1¼外大牙)		25	50	100	75.5	137
2"X4mm(1¼外大牙)		63	85	138	85	195

# 8

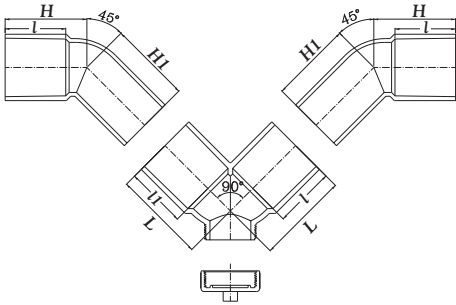
## 下水道及排水用接頭規格

Specification of PVC-U Fittings for Sewerage & Drainage

### V型存水接頭 V Type Water Connection

單位: mm

規格 Size	l	L1	H	H1
2"X4m	63	63	85	85

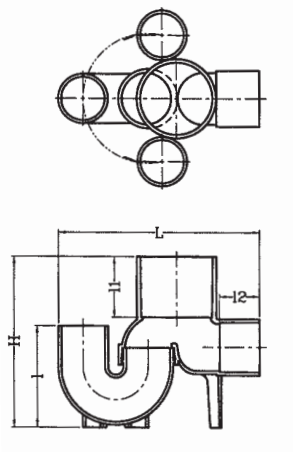


### 污水防臭接頭 Junction with Odor Trap 本體

單位: mm

規格 Size	H	L	l	l1	l2
(A型) 100x150 4"X6"	398	457	234.5	140	92
(B型) 100x150 4"X6"	305	402	234.5	50	50

A型:  
TYPE A



B型:  
TYPE B

